

HI-LO ROUND TOP

The Hi-Lo Round Top radiator is our leading product in terms of maximising all the elements of our H₂O technology. Its high output and quality production makes it the best choice for long-lasting quality, low maintenance, easy to clean, not to mention the exceptional outputs making it the most cost and energy efficient radiator available. The Hi-Lo Round Top delivers reliable comfort and is fully compatible with low-temperature heating systems so no matter what temperature the boiler is set to, or whether you use it in conjunction with air source and ground source heat pumps, you can still maintain a cost-effective and warm home.

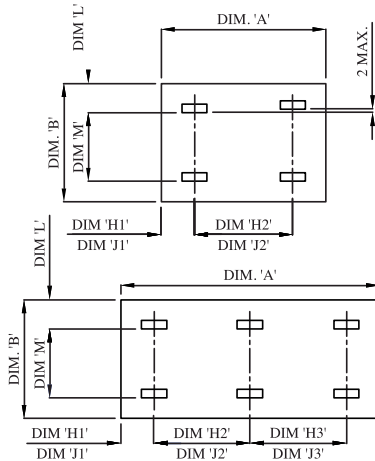
The high outputs mean you need to oversize your radiators less, if at all, leaving more room in your home for your belongings. The universal design allows you to install it as a Round Top or a Seam Top radiator depending on the desired look. The Hi-Lo Round Top radiator comes without any side panels or grills so there are no removable parts and no obstacles for the heat to circulate so will have the quickest warm-up time and highest outputs of all our radiators.



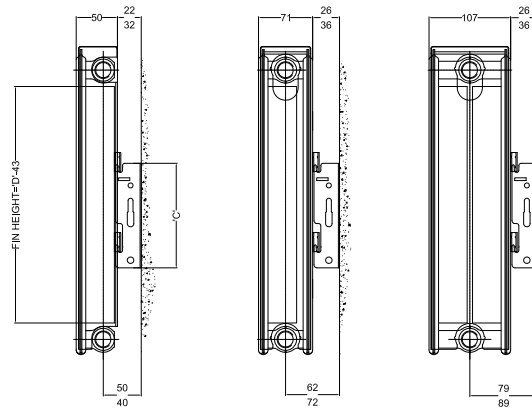
Key performance features and benefits:



Actual Dimensions



Mounting Details



Single Convector

Double Panel Plus

Double Convector

Note: Dimensions H1, H2 and H3 refer to the lugs on Double Panel Plus and Double Convector radiators. Dimensions J1, J2 and J3 refer to the lugs on Single Convector Radiators.

Mounting Details

	300	400	500	600	700
Radiator Height 'B'	300	400	500	600	700
Bracket Lug Heights 'M'	105	205	305	405	505
Connection Centres 'D'	253	353	453	553	653
Bracket Length 'C'	137	237	337	437	537
Top of Radiator to bottom of top lug 'L'	110	110	110	110	110
Bracket to top of radiator	100	100	100	100	100

Bracket Lug Locations

Radiator Length (mm)	300	400	500	600	700	800	900	1000	1100	1200	1300	1400	1500	1600	1800	2000
A	295	395	495	595	695	795	895	995	1095	1195	1295	1395	1495	1595	1795	1995
H1	72.5	122.5	122.5	122.5	122.5	122.5	122.5	122.5	122.5	122.5	122.5	122.5	122.5	122.5	122.5	122.5
J1	85	135	160	160	160	160	160	160	160	160	160	160	160	160	160	160
H2	150	150	250	350	450	550	650	750	850	950	1050	1150	1250	1350	775	875
J2	125	125	175	275	375	475	575	675	775	875	975	1075	1175	1275	750	850
H3															775	875
J3															725	825
Qty	4	4	4	4	4	4	4	4	4	4	4	4	4	4	6	6

Water Content

Height	300mm (12")	400mm (16")	500mm (20")	600mm (24")	700mm (28")
Litres/Metre					
Single Convector	1.81	2.24	2.67	3.10	3.53
Double Panel Plus	3.10	4.10	5.10	6.10	7.12
Double Convector	3.10	4.10	5.10	6.10	7.12

Radiator Dry Weight

Height	300mm (12")	400mm (16")	500mm (20")	600mm (24")	700mm (28")
kgs/Metre					
Single Convector	8.53	11.44	14.35	17.27	20.16
Double Panel Plus	14.90	19.04	23.75	28.47	33.18
Double Convector	16.92	22.73	28.55	34.36	40.18

All panel radiators can be produced in lengths of up to 3000mm long. Please contact the Sales Office for more information.



Nominal Height	Length		Single Convector			Double Panel Plus			Double Convector		
	mm	inch	Code	BTU/hr	Watts	Code	BTU/hr	Watts	Code	BTU/hr	Watts
300mm 12"	400	16	Q11304RT	770	226	-	-	-	-	-	-
	500	20	Q11305RT	962	282	-	-	-	Q22305RT	1903	558
	600	24	Q11306RT	1155	338	-	-	-	Q22306RT	2283	669
	1000	39	Q11310RT	1925	564	-	-	-	Q22310RT	3805	1115
	1600	63	-	-	-	-	-	-	Q22316RT	6089	1784

Nominal Height	Length		Single Convector			Double Panel Plus			Double Convector		
	mm	inch	Code	BTU/hr	Watts	Code	BTU/hr	Watts	Code	BTU/hr	Watts
400mm 16"	400	16	Q11404RT	1001	293	Q21404RT	1457	427	Q22404RT	1919	562
	500	20	Q11405RT	1251	367	Q21405RT	1821	534	Q22405RT	2399	703
	600	24	Q11406RT	1501	440	Q21406RT	2185	640	Q22406RT	2879	844
	700	28	Q11407RT	1751	513	Q21407RT	2549	747	Q22407RT	3359	984
	800	31	Q11408RT	2001	586	Q21408RT	2913	854	Q22408RT	3839	1125
	900	35	Q11409RT	2252	660	Q21409RT	3278	960	Q22409RT	4319	1265
	1000	39	Q11410RT	2502	733	Q21410RT	3642	1067	Q22410RT	4799	1406
	1100	43	Q11411RT	2752	806	Q21411RT	4006	1174	Q22411RT	5279	1547
	1200	47	Q11412RT	3002	880	Q21412RT	4370	1280	Q22412RT	5758	1688
	1400	55	Q11414RT	3502	1026	Q21414RT	5098	1494	Q22414RT	6718	1968
	1600	63	Q11416RT	4003	1173	Q21416RT	5827	1707	Q22416RT	7678	2250
	1800	71	Q11418RT	4503	1319	Q21418RT	6555	1921	Q22418RT	8638	2531
	2000	79	Q11420RT	5003	1466	-	-	-	Q22420RT	9597	2812

Nominal Height	Length		Single Convector			Double Panel Plus			Double Convector		
	mm	inch	Code	BTU/hr	Watts	Code	BTU/hr	Watts	Code	BTU/hr	Watts
500mm 20"	300	12	Q11503RT	911	267	-	-	-	Q22503RT	1721	504
	400	16	Q11504RT	1215	356	Q21504RT	1734	508	Q22504RT	2295	672
	500	20	Q11505RT	1519	445	Q21505RT	2167	635	Q22505RT	2869	841
	600	24	Q11506RT	1823	534	Q21506RT	2601	762	Q22506RT	3442	1009
	700	28	Q11507RT	2126	623	Q21507RT	3034	889	Q22507RT	4016	1177
	800	31	Q11508RT	2430	712	Q21508RT	3468	1016	Q22508RT	4590	1345
	900	35	Q11509RT	2734	801	Q21509RT	3901	1143	Q22509RT	5164	1513
	1000	39	Q11510RT	3038	890	Q21510RT	4335	1270	Q22510RT	5737	1681
	1100	43	Q11511RT	3341	979	Q21511RT	4768	1397	Q22511RT	6311	1849
	1200	47	Q11512RT	3645	1068	Q21512RT	5201	1524	Q22512RT	6885	2017
	1400	55	Q11514RT	4253	1246	Q21514RT	6068	1778	Q22514RT	8032	2353
	1600	63	Q11516RT	4860	1424	Q21516RT	6935	2032	Q22516RT	9180	2690
	1800	71	Q11518RT	5468	1602	Q21518RT	7802	2286	Q22518RT	10327	3026
2000	79	Q11520RT	6075	1780	-	-	-	Q22520RT	11475	3362	

All outputs quoted are based on a Delta T of 50°C.



Nominal	Length		Single Convector			Double Panel Plus			Double Convector		
Height	mm	inch	Code	BTU/hr	Watts	Code	BTU/hr	Watts	Code	BTU/hr	Watts
600mm 24"	300	12	Q11603RT	1061	311	-	-	-	Q22603RT	1989	583
	400	16	Q11604RT	1414	414	Q21604RT	1993	584	Q22604RT	2653	777
	500	20	Q11605RT	1768	518	Q21605RT	2491	730	Q22605RT	3316	972
	600	24	Q11606RT	2122	622	Q21606RT	2990	876	Q22606RT	3979	1166
	700	28	Q11607RT	2475	725	Q21607RT	3488	1022	Q22607RT	4642	1360
	800	31	Q11608RT	2829	829	Q21608RT	3986	1168	Q22608RT	5305	1554
	900	35	Q11609RT	3182	932	Q21609RT	4485	1314	Q22609RT	5968	1749
	1000	39	Q11610RT	3536	1036	Q21610RT	4983	1460	Q22610RT	6631	1943
	1100	43	Q11611RT	3889	1140	Q21611RT	5481	1606	Q22611RT	7295	2137
	1200	47	Q11612RT	4243	1243	Q21612RT	5980	1752	Q22612RT	7958	2332
	1400	55	Q11614RT	4950	1450	Q21614RT	6976	2044	Q22614RT	9284	2915
	1600	63	Q11616RT	5657	1658	Q21616RT	7973	2336	Q22616RT	10610	3109
	1800	71	Q11618RT	6365	1865	Q21618RT	8969	2628	Q22618RT	11937	3497
2000	79	Q11620RT	7072	2072	-	-	-	Q22620RT	13263	3886	

Nominal	Length		Single Convector			Double Panel Plus			Double Convector		
Height	mm	inch	Code	BTU/hr	Watts	Code	BTU/hr	Watts	Code	BTU/hr	Watts
700mm 28"	400	16	Q11704RT	1600	469	Q21704RT	2235	655	Q22704RT	2993	877
	500	20	Q11705RT	2000	586	Q21705RT	2794	819	Q22705RT	3741	1096
	600	24	Q11706RT	2400	703	Q21706RT	3352	982	Q22706RT	4489	1315
	700	28	Q11707RT	2800	820	Q21707RT	3911	1146	Q22707RT	5237	1534
	800	31	Q11708RT	3200	938	Q21708RT	4470	1310	Q22708RT	5985	1754
	900	35	Q11709RT	3600	1055	Q21709RT	5028	1473	Q22709RT	6733	1973
	1000	39	Q11710RT	4000	1172	Q21710RT	5587	1637	Q22710RT	7481	2192
	1100	43	Q11711RT	4400	1289	-	-	-	Q22711RT	8229	2411
	1200	47	Q11712RT	4800	1406	Q21712RT	6704	1964	Q22712RT	8978	2630
	1400	55	Q11714RT	5600	1641	-	-	-	Q22714RT	10474	3069
	1600	63	Q11716RT	6400	1875	-	-	-	Q22716RT	11970	3507
	1800	71	Q11718RT	7200	2110	-	-	-	-	-	-
	2000	79	Q11720RT	8000	2344	-	-	-	-	-	-

All outputs quoted are based on a Delta T of 50°C.