

HI-LO COMPACT

The Hi-Lo Compact is the sister product to our Hi-Lo Round Top, sharing the same H₂O technology and high outputs but with factory-fitted grilles and side panels for the traditional look radiator. As with all our panel radiators, the Hi-Lo Compact comes in a variety of types and sizes to fit any home and the high pressure testing they undergo means they will work on both commercial and domestic systems.

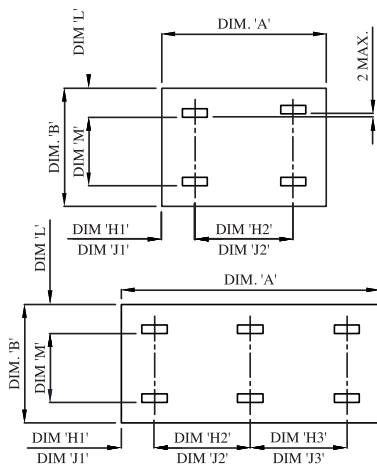
The Hi-Lo Compact has the same narrow water channels and increased fins so the outputs are some of the highest in the Compact market, as well as requiring less water to heat up so fits well with any energy-efficient home.



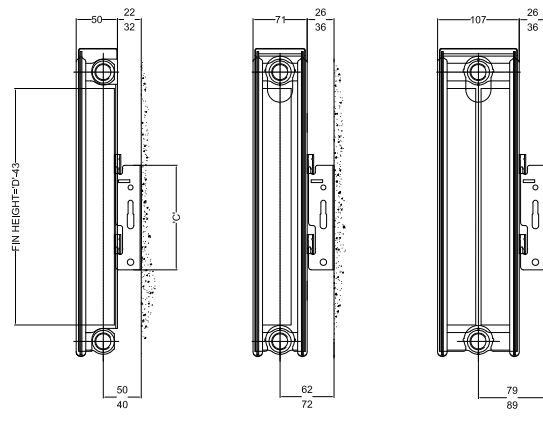
Key performance features and benefits:



Actual Dimensions



Mounting Details



Note: Dimensions H1, H2 and H3 refer to the lugs on Double Panel Plus and Double Convector radiators. Dimensions J1, J2 and J3 refer to the lugs on Single Convector Radiators.

Single Convector Double Panel Plus Double Convector

Mounting Details					
Radiator Height 'B'	300	400	500	600	700
Bracket Lug Heights 'M'	105	205	305	405	505
Connection Centres 'D'	253	353	453	553	653
Bracket Length 'C'	137	237	337	437	537
Top of Radiator to bottom of top lug 'L'	110	110	110	110	110
Bracket to top of radiator	100	100	100	100	100

Bracket Lug Locations																
Radiator Length (mm)	300	400	500	600	700	800	900	1000	1100	1200	1300	1400	1500	1600	1800	2000
A	295	395	495	595	695	795	895	995	1095	1195	1295	1395	1495	1595	1795	1995
H1	72.5	122.5	122.5	122.5	122.5	122.5	122.5	122.5	122.5	122.5	122.5	122.5	122.5	122.5	122.5	122.5
J1	85	135	160	160	160	160	160	160	160	160	160	160	160	160	160	160
H2	150	150	250	350	450	550	650	750	850	950	1050	1150	1250	1350	775	875
J2	125	125	175	275	375	475	575	675	775	875	975	1075	1175	1275	750	850
H3															775	875
J3															725	825
Qty	4	4	4	4	4	4	4	4	4	4	4	4	4	4	6	6

Water Content					
Height	300mm (12")	400mm (16")	500mm (20")	600mm (24")	700mm (28")
Litres/Metre					
Single Convector	1.81	2.24	2.67	3.10	3.53
Double Panel Plus	3.10	4.10	5.10	6.10	7.12
Double Convector	3.10	4.10	5.10	6.10	7.12

Radiator Dry Weight					
Height	300mm (12")	400mm (16")	500mm (20")	600mm (24")	700mm (28")
kgs/Metre					
Single Convector	9.50	12.52	15.54	18.56	21.58
Double Panel Plus	16.00	19.92	24.74	29.56	34.38
Double Convector	18.04	24.00	29.97	35.93	41.90

All panel radiators can be produced in lengths of up to 3000mm long. Please contact the Sales Office for more information.



Nominal	Length		Single Convactor			Double Panel Plus			Double Convactor		
Height	mm	inch	Code	BTU/hr	Watts	Code	BTU/hr	Watts	Code	BTU/hr	Watts
300mm 12"	400	16	Q11304KD	765	224	-	-	-	Q22304KD	1495	438
	500	20	Q11305KD	956	280	-	-	-	Q22305KD	1869	548
	600	24	Q11306KD	1147	336	-	-	-	Q22306KD	2242	657
	1000	39	Q11310KD	1911	560	-	-	-	Q22310KD	3737	1095
	1400	55	-	-	-	-	-	-	Q22314KD	5232	1533
	1600	63	-	-	-	-	-	-	Q22316KD	5980	1752

Nominal	Length		Single Convactor			Double Panel Plus			Double Convactor		
Height	mm	inch	Code	BTU/hr	Watts	Code	BTU/hr	Watts	Code	BTU/hr	Watts
400mm 18"	400	16	Q11404KD	995	292	Q21404KD	1421	416	Q22404KD	1898	556
	500	20	Q11405KD	1244	365	Q21405KD	1776	521	Q22405KD	2372	695
	600	24	Q11406KD	1493	437	Q21406KD	2132	625	Q22406KD	2846	834
	700	28	Q11407KD	1742	510	Q21407KD	2487	729	Q22407KD	3321	973
	800	31	Q11408KD	1990	583	Q21408KD	2842	833	Q22408KD	3795	1112
	900	35	Q11409KD	2239	656	Q21409KD	3198	937	Q22409KD	4270	1251
	1000	39	Q11410KD	2488	729	Q21410KD	3553	1041	Q22410KD	4744	1390
	1100	43	Q11411KD	2737	802	Q21411KD	3908	1145	Q22411KD	5218	1529
	1200	47	Q11412KD	2986	875	Q21412KD	4264	1249	Q22412KD	5693	1668
	1400	55	Q11414KD	3483	1021	Q21414KD	4974	1457	Q22414KD	6642	1946
	1600	63	Q11416KD	3981	1166	Q21416KD	5685	1666	Q22416KD	7591	2224
	1800	71	Q11418KD	4479	1312	Q21418KD	6395	1874	Q22418KD	8539	2502
	2000	79	Q11420KD	4976	1458	-	-	-	Q22420KD	9488	2780

Nominal	Length		Single Convactor			Double Panel Plus			Double Convactor		
Height	mm	inch	Code	BTU/hr	Watts	Code	BTU/hr	Watts	Code	BTU/hr	Watts
500mm 20"	300	12	Q11503KD	906	266	-	-	-	Q22503KD	1702	499
	400	16	Q11504KD	1208	354	Q21504KD	1691	496	Q22504KD	2269	665
	500	20	Q11505KD	1510	443	Q21505KD	2114	620	Q22505KD	2836	831
	600	24	Q11506KD	1812	531	Q21506KD	2537	743	Q22506KD	3403	997
	700	28	Q11507KD	2114	620	Q21507KD	2960	867	Q22507KD	3971	1163
	800	31	Q11508KD	2416	708	Q21508KD	3383	991	Q22508KD	4538	1330
	900	35	Q11509KD	2718	797	Q21509KD	3806	1115	Q22509KD	5105	1496
	1000	39	Q11510KD	3021	885	Q21510KD	4229	1239	Q22510KD	5672	1662
	1100	43	Q11511KD	3323	974	Q21511KD	4652	1363	Q22511KD	6240	1828
	1200	47	Q11512KD	3625	1062	Q21512KD	5074	1487	Q22512KD	6807	1994
	1400	55	Q11514KD	4229	1239	Q21514KD	5920	1735	Q22514KD	7941	2327
	1600	63	Q11516KD	4833	1416	Q21516KD	6766	1982	Q22516KD	9076	2659
	1800	71	Q11518KD	5437	1593	Q21518KD	7612	2230	Q22518KD	10210	2992
2000	79	Q11520KD	6041	1770	-	-	-	Q22520KD	11345	3324	

All outputs quoted are based on a Delta T of 50°C.



Nominal Height	Length		Single Convactor			Double Panel Plus			Double Convactor		
	mm	inch	Code	BTU/hr	Watts	Code	BTU/hr	Watts	Code	BTU/hr	Watts
600mm 24"	300	12	Q11603KD	1056	309	-	-	-	Q22603KD	1960	574
	400	16	Q11604KD	1408	412	Q21604KD	1945	570	Q22604KD	2613	766
	500	20	Q11605KD	1759	516	Q21605KD	2432	713	Q22605KD	3266	957
	600	24	Q11606KD	2111	619	Q21606KD	2918	855	Q22606KD	3919	1148
	700	28	Q11607KD	2463	722	Q21607KD	3404	998	Q22607KD	4573	1340
	800	31	Q11608KD	2815	825	Q21608KD	3891	1140	Q22608KD	5226	1531
	900	35	Q11609KD	3167	928	Q21609KD	4377	1283	Q22609KD	5879	1723
	1000	39	Q11610KD	3519	1031	Q21610KD	4864	1425	Q22610KD	6532	1914
	1100	43	Q11611KD	3871	1134	Q21611KD	5350	1568	Q22611KD	7186	2105
	1200	47	Q11612KD	4223	1237	Q21612KD	5836	1710	Q22612KD	7839	2297
	1300	51	Q11613KD	4574	1340	-	-	-	Q22613KD	8492	2488
	1400	55	Q11614KD	4926	1443	Q21614KD	6809	1995	Q22614KD	9145	2680
	1600	63	Q11616KD	5630	1650	Q21616KD	7782	2280	Q22616KD	10452	3062
	1800	71	Q11618KD	6334	1856	Q21618KD	8754	2565	Q22618KD	11758	3445
2000	79	Q11620KD	7038	2062	-	-	-	Q22620KD	13065	3828	

Nominal Height	Length		Single Convactor			Double Panel Plus			Double Convactor		
	mm	inch	Code	BTU/hr	Watts	Code	BTU/hr	Watts	Code	BTU/hr	Watts
700mm 28"	300	12	Q11703KD	1194	350	-	-	-	Q22703KD	2200	645
	400	16	Q11704KD	1592	466	Q21704KD	2186	640	Q22704KD	2934	860
	500	20	Q11705KD	1990	583	Q21705KD	2732	801	Q22705KD	3667	1075
	600	24	Q11706KD	2388	700	Q21706KD	3279	961	Q22706KD	4401	1289
	700	28	Q11707KD	2786	816	Q21707KD	3825	1121	Q22707KD	5134	1504
	800	31	Q11708KD	3184	933	Q21708KD	4371	1281	Q22708KD	5868	1719
	900	35	Q11709KD	3582	1049	Q21709KD	4918	1441	Q22709KD	6601	1934
	1000	39	Q11710KD	3980	1166	Q21710KD	5464	1601	Q22710KD	7335	2149
	1100	43	Q11711KD	4378	1283	-	-	-	Q22711KD	8068	2364
	1200	47	Q11712KD	4775	1399	Q21712KD	6557	1921	Q22712KD	8801	2579
	1400	55	Q11714KD	5571	1632	-	-	-	Q22714KD	10268	3009
	1600	63	Q11716KD	6367	1866	-	-	-	Q22716KD	11735	3438
	1800	71	Q11718KD	7163	2099	-	-	-	Q22718KD	13202	3868
	2000	79	Q11720KD	7959	2332	-	-	-	Q22720KD	14669	4298

All outputs quoted are based on a Delta T of 50°C.